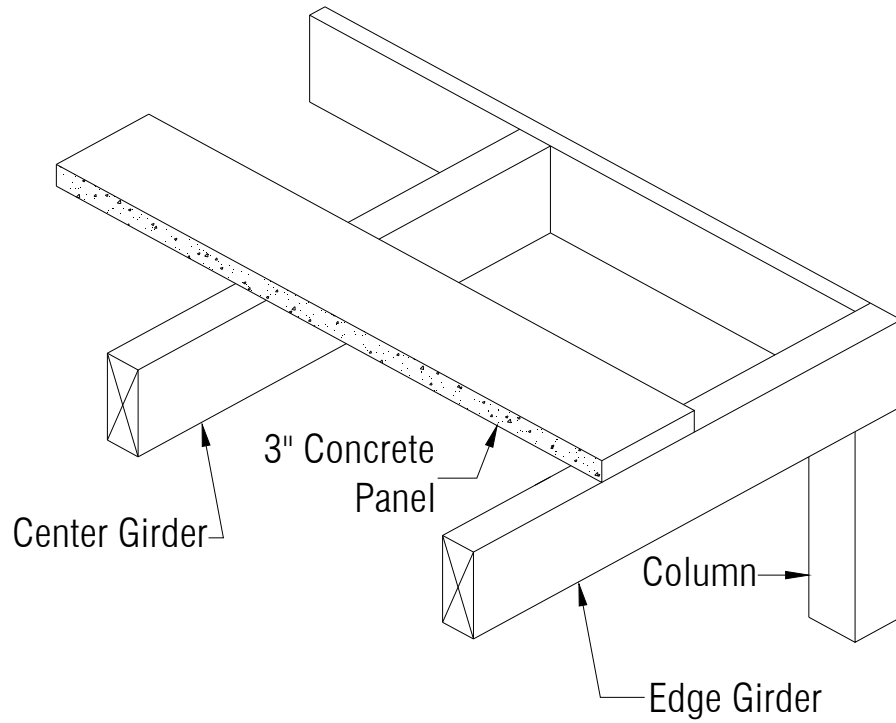


Plywood sheathing Broadwalk

Table 1: Girder and column size for different span

Span ft	Girder Size in	Reaction lb	Column Size in
8	2x12	5480	5x5
10	2-2x12	6848	5x5
12	2-2x12	8218	5x5
15	3-2x14	10272	5x5



Concrete Panel Broadwalk

Table 2: Girder and column size for different span

Span	Center Girder Size	Edge Girder Size	Reaction	Column Size
ft	in	in	lb	in
8	2x10	2x8	6720	5x5
10	2x12	2x10	8400	5x5
12	2x14	2x10	10080	5x5
15	2-2x12	2x12	12600	6x6